



DATASHEET

RA44 MAP

IN-LINE ACTUATOR SERIES



COMPACT SIZE



HIGH SPEED



EQUAL PUSH / PULL FORCE



EASY MOUNTING



ELEGANT DESIGN



MAINTENANCE FREE



HIGH INGRESS PROTECTION



QUIET OPERATION



CUSTOMIZABLE

Marine tiller drive

RA44 MAP Linear Actuator offers reliability and accuracy packaged in a robust and easily integrable solution for tiller drive systems.

RA44 MAP features a stylish design and a high performance motor with ball screw technology to enhance the performance and durability of the most popular marine autopilots systems for boats up to 3.000 Kg.

Main Features

- Power supply: 12 VDC
- Max. load: 400 N (push/pull)
- Max. speed: 62.2 mm/s
- Aluminum housing
- Stainless steel piston rod
- Protection class: IP66
- Standard color: anodized warm grey

Application

- Marine Autopilot
- Fully compatible with current autopilot systems (Raymarine EV-100...).
- Suitable for other applications:
 - Robotics
 - Safety equipment
 - Automotive
 - Medical equipment
 - Industrial automation

Customizable

- Push-rod extension
- Stroke lengths
- Built-in dimensions
- Position control
- Anodized colors
- Connectors
- Cable lengths
- Front / rear brackets

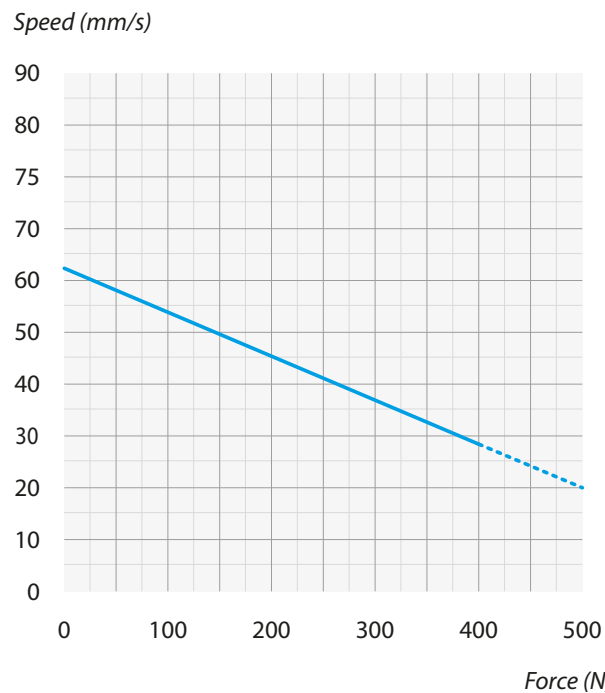
Technical Specifications

Specifications	RA 44 MAP
Max. Load	400 N at 28.2 mm/s
Lead	4,5 mm
Max. Speed (no load)	62.2 mm/s
Max. Current	4.5 A
Starting Current	5.5 A
Power Supply	12 VDC
IP Rating	IP 66
Weight	1700 g
Housing material	Aluminum
Rod material	Polished Stainless Steel
Color	Warm silver
Operating Temperature	-10 °C to + 60 °C
Storage Temperature	- 30 °C to + 70 °C
Stroke	260 mm

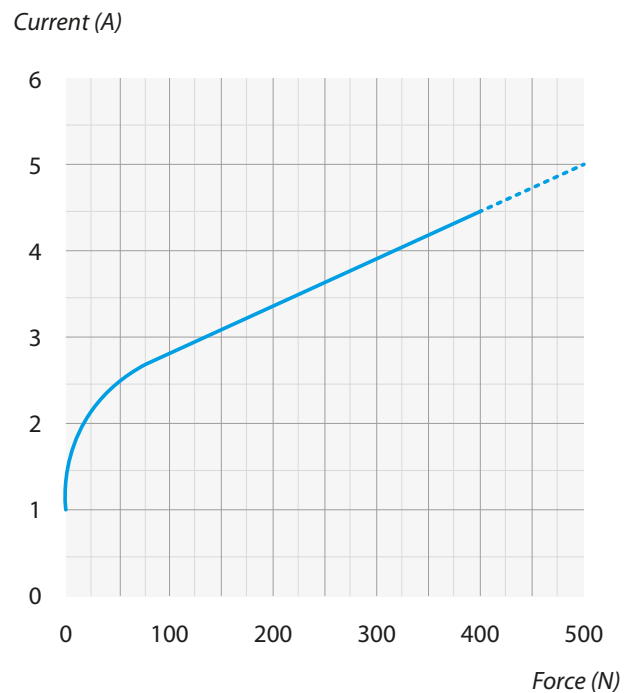
Force, speed and current

	Force (N)	No load	100 N	200 N	300 N	400 N	500 N
RA 44 MAP	Average Current (A)	1.0	2.7	3.4	3.9	4.5	5.0
	Speed (mm/s)	62.2	54.3	45.0	37.1	28.2	20.1

Speed - Force



Current - Force

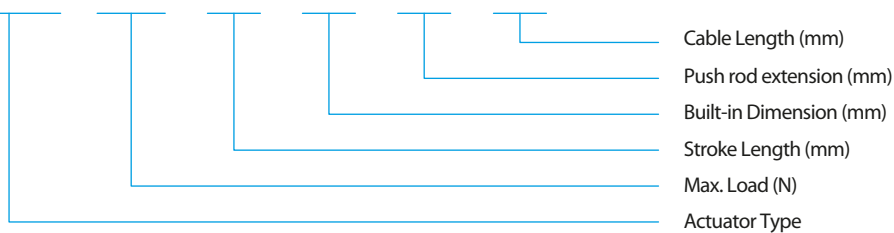


Use in the dashed area is not recommended.
The above figures are with a room temperature of 20°C.

Standard Configurations

Ordering example

RA44 MAP 400 . 260 . 622 . 132 . 500

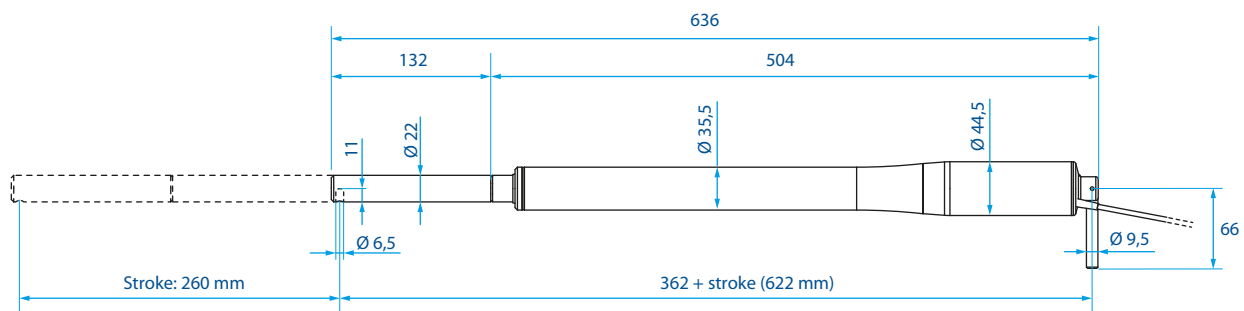


Cable Length (mm)
Push rod extension (mm)
Built-in Dimension (mm)
Stroke Length (mm)
Max. Load (N)
Actuator Type

Please contact
info@regner.es
for customized
configurations.

Configuration	Standard options	Custom
Stroke	260 mm	100 - 300 mm
Built-in Dimension	362 mm + stroke (622 mm)	> 362 mm + stroke
Push-rod extension	132 mm	26, 56, 81, 106 or 156 mm
Cable length	500 mm	150, 300 or 1000 mm
Front mounting	6.5 mm blind hole	Customized
Rear mounting	9.5 mm pin	Customized
Connector	Circular DIN IPX9K (Screw coupling)	Customized
Color	Anodized warm grey	Customized

Dimensions (mm)



Quality

Forging ahead to achieve high quality

We apply high quality components, semi-automatic production and rigorous testing to verify and validate each motion control solution before leaving our premises. Our continuously audited management systems ensure optimized agile manufacturing. All these measures make for high quality products.

RA 44 MAP Quality control

Every single RA 44 MAP goes through a strict quality control before leaving production in order to guarantee an optimum performance and durability.

Certifications

- ISO 9001 : 2008 *Quality management*
- ISO 14001 : 2004 *Environmental management system*
- ISO 13485 : 2012 *Medical devices*

Quiet
Durable
Easy
Efficient
Powerful
Elegant
Customizable

