

RA-44 MAP

In-line actuator series



High speed



Easy installation



Compact size



Elegant design



Equal Push
Pull force



High ingress
protection



Quiet operation



Maintenance free

For maritime applications, performance and durability

The RA-44 MAP (Marine Autopilot) linear actuator is a robust solution designed to operate tiller drive boat systems. It integrates easily into the steering systems of any pleasure boat **with up to 3.000 kg (6.613,9 lb)** displacement and continuously corrects the boat's direction with information provided by the compass, wind transducers or GPS. The RA-44 MAP is, therefore, one of the most satisfying improvements for pleasure boats.



Main features



Powerful

Loads of up to 400 N
(90 lbf) push/pull



Compact

44 mm (1,73 in)
diameter



Customizable

Stroke, connectors,
dimensions, colors
and cable lengths



Resistant

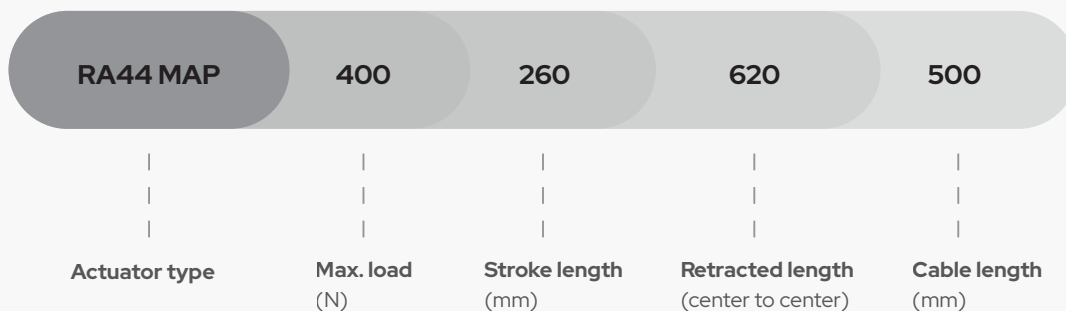
IP66 rating
Aluminum housing
Stainless steel rod

General specifications

Stroke	260 mm	10,2 in
Rod extension	132 mm	5,2 in
Max. load	400 N at 28,2 mm/s	90 lbf at 11,1 in/s
Max. speed (no load)	62,2 mm/s	24,4 in/s
Power supply	12 VDC	
Max. current	4,5 A	
Starting current	5,5 A	
Connector	-	
IP rating	IP66	
Retracted length	232 mm + stroke + rod extension	9,1 in + stroke + rod extension
Weight	1.700 g	3,75 lb
Housing material	Aluminium	
Rod material	Polished stainless steel	
Color	Anodized champagne	
Front mounting hole diameter	6,5 mm (blind hole)	0,25 in (blind hole)
Rear mounting holes diameter	9,5 mm (pin)	0,37 in (pin)
Cable length	500 mm	19,7 in
Operating temperature	-10°C to 60°C	14°F to 140°F
Storage temperature	-30°C to 70°C	-22°F to 158°F
Lead	4,5 mm	0,18 in

Please, contact info@regner.es for customized configurations.

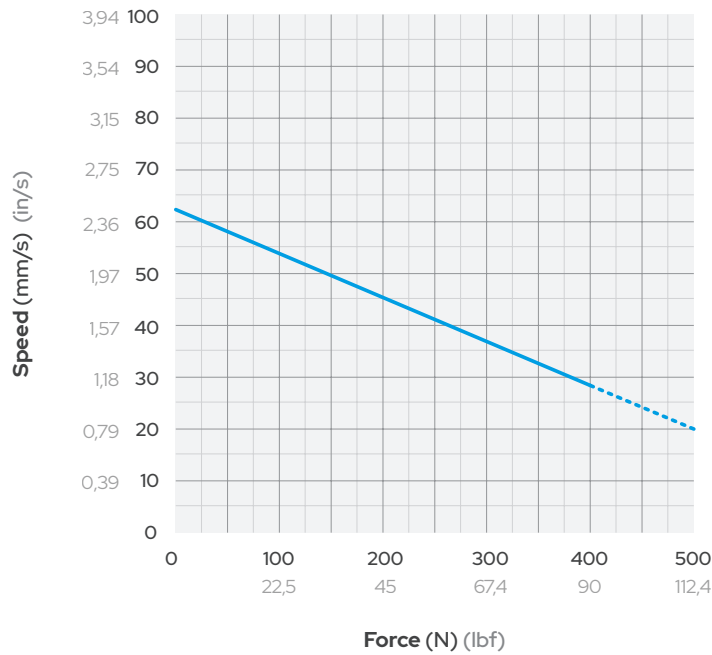
Code configuration



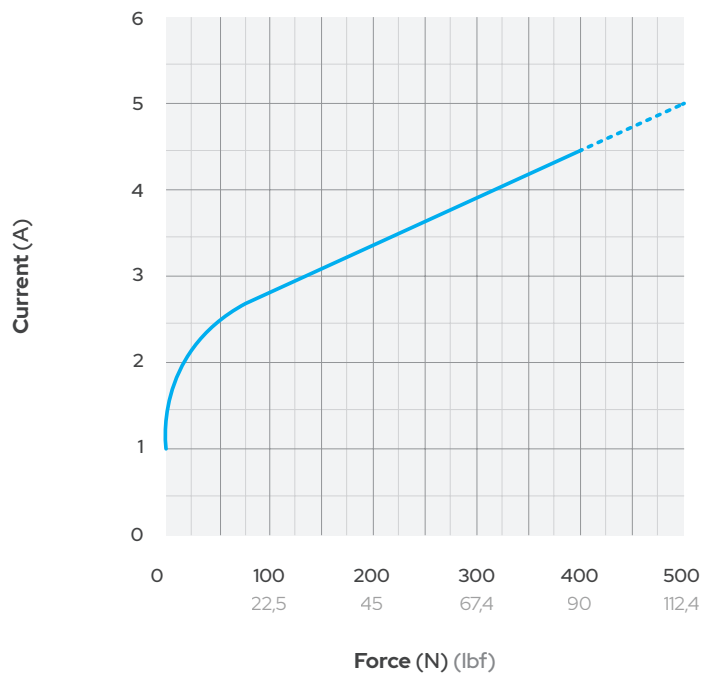
RA-44 MAP

Force (N) (lbf)	No load	100 N / 56,2 lbf	200 N / 45 lbf	300 N / 67,4 lbf	400 N / 90 lbf
Average current (mA)	1,0	2,7	3,4	3,9	4,5
Speed (mm/s) (in/s)	62,2 - 2,45	54,3 - 2,14	45 - 1,77	37,1 - 1,46	28,2 - 1,11

Speed - Force



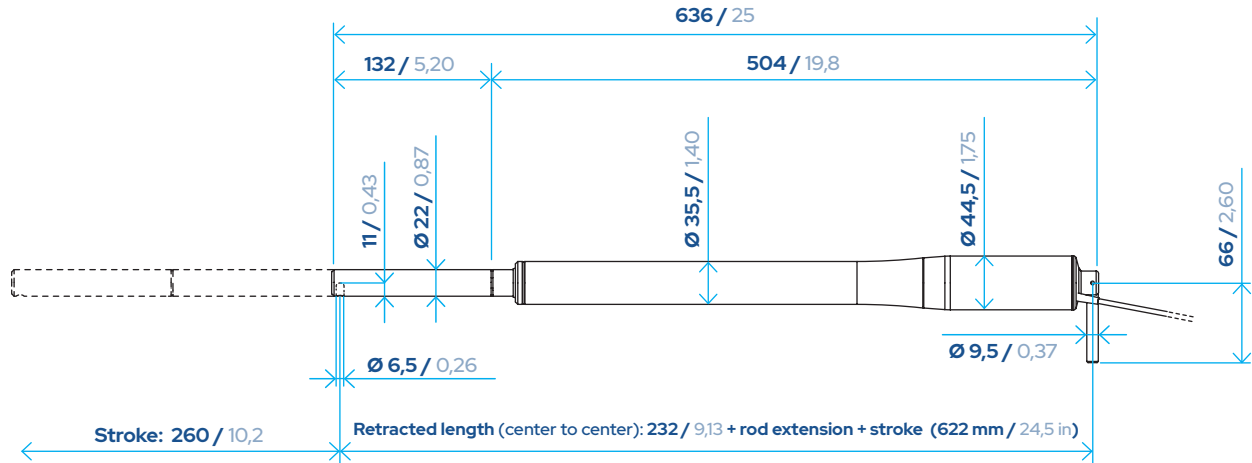
Current - Force



Use in the dashed area is not recommended.
The above values are with a room temperature of 20 °C / 68 °F.

Dimensions

(mm) (in)



Forging ahead to achieve high quality

ISO 9001 Quality management
ISO 14001 Environmental management system
ISO 13485 Medical devices

We use **high quality components and apply semiautomatic production** and rigorous testing to verify and validate each motion control solution before they leave our premises. Plus, our management systems, which are continuously audited, ensure optimized agile manufacturing. All these measures translate into high quality products.

Every single **RA-44 MAP** undergoes strict QC assessments during production in order to guarantee optimal performance and durability.

Ripollès, 4. Pol. Industrial Casa Nova.
17181 Aiguaviva (Girona). Spain

T.+34 972 476 911 - F. +34 972 475 803
info@regner.es - regner.tech

